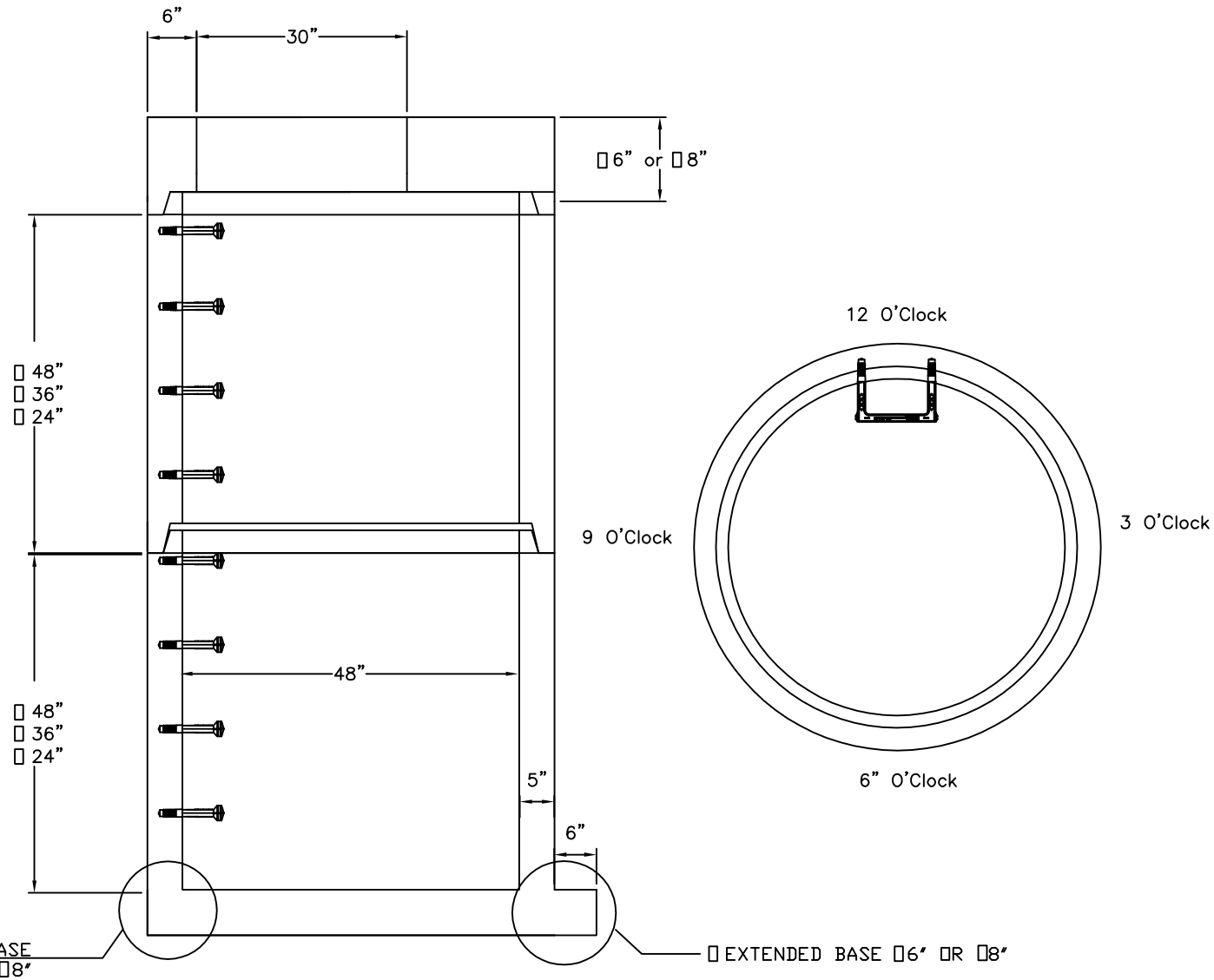


### Specifications

**Concrete:** Minimum Compressive Strength is 5,000 PSI @ 28 Days.



**Note:** Provide hole location and diameter on details in reference to steps.

□ STANDARD BASE  
□ 6" OR □ 8"

□ EXTENDED BASE □ 6" OR □ 8"

NOT TO SCALE

Lake Shore Burial Vault Co., Inc  
12780 W. Lisbon Road  
Brookfield, WI 53005  
Phone: 262.781.6262 Fax: 262.781.6280  
www.lsburialvaults.com

**Job Name:**

**General Notes:**

This drawing is the property of Lake Shore Burial Vault Company and shall not be copied or submitted without the consent of this company. All vertical measurements are accurate within +/- 1".

**Model:** 48" Catch Basin - Assembly

**Drawn By:** T. McQuestion **Date:** 8/22/2011

**Dwg. No.:**

**Date:** 12/6/2011